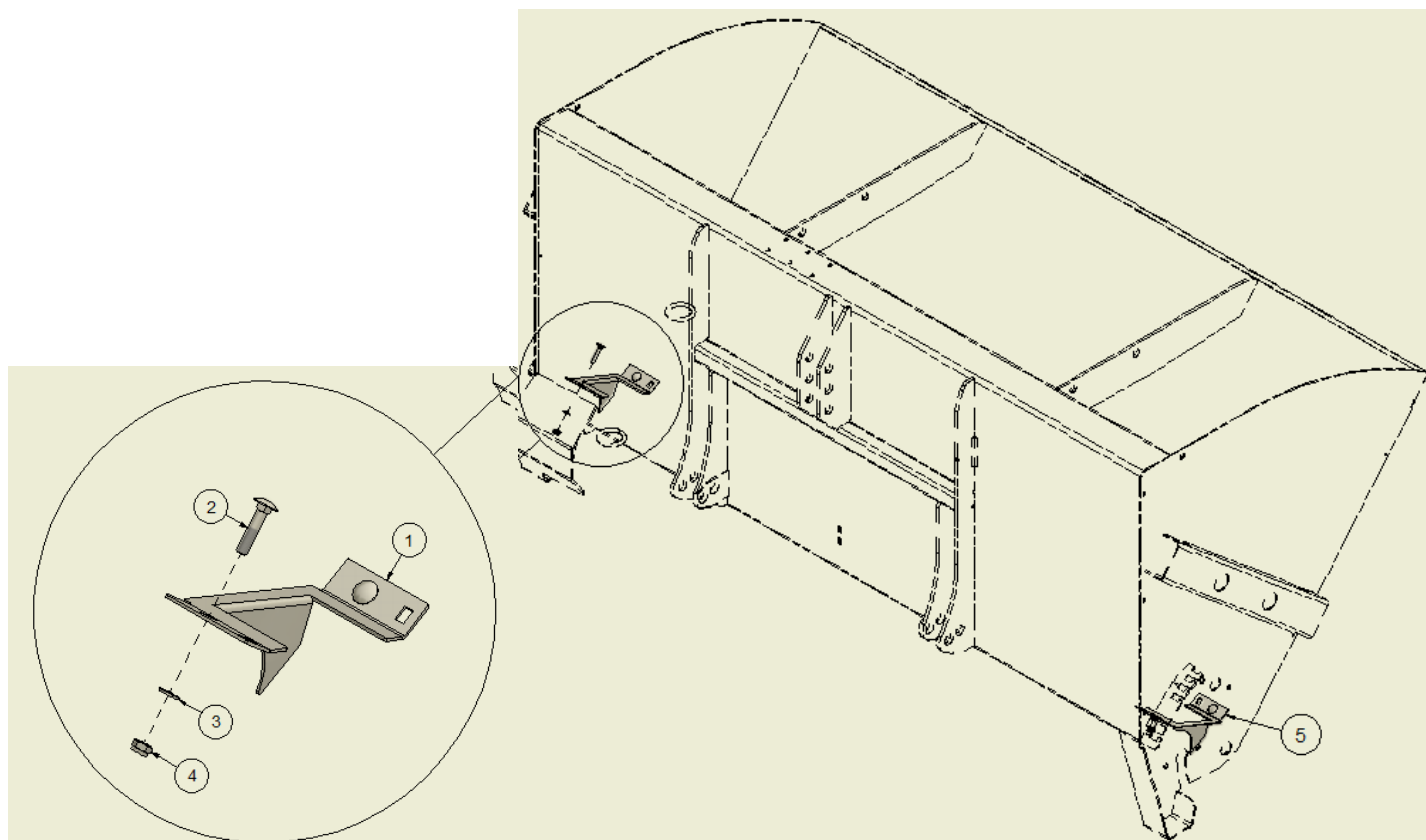
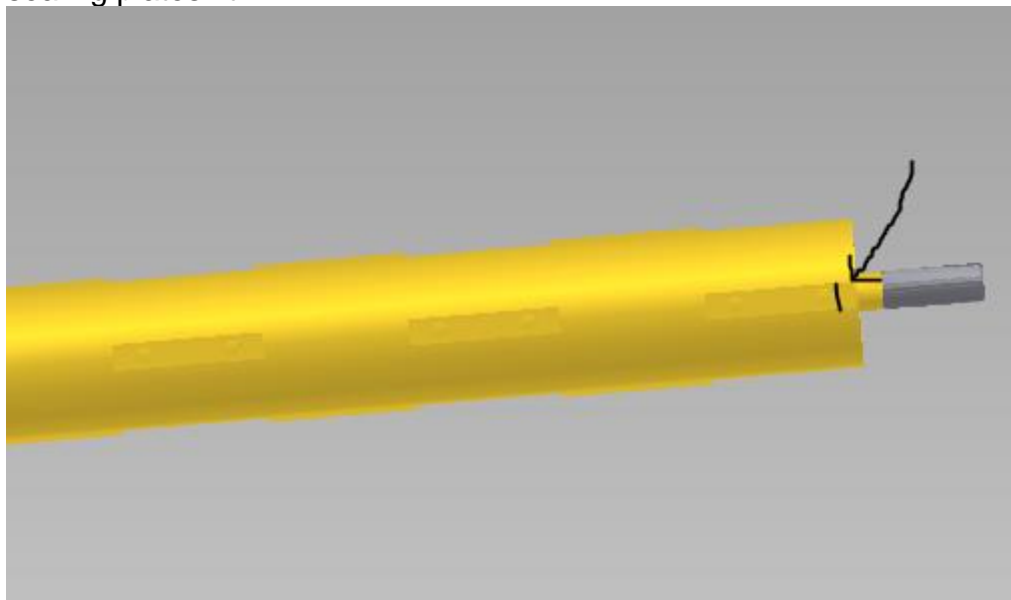


Assembly instructions

Product: SA1500	Service description no: 2611-M002	Ver: 1
--------------------	---	-----------

Sealing plates

Cut away the outermost part of the discharge steels on the discharge roller. This is to make the sealing plates fit.



Pos	Qty	Seal number	Article no	Designation
1	1	26119400	1261194	Right sealing plate
2	4		2444307	Locking screw M10x50 A4 DIN 603
3	4		2537060	Washer M10 A4 DIN 125
4	4		2483810	Locking nut M10 A4 DIN 985
5	1	26119500	1261195	Left sealing plate